

## Underground cabinets



# UC-Cabinet

'The' underground enclosure

### Applications

- Temporary connection at markets, fairs and events
- Low voltage distribution
- Glass fibre connections
- IT applications
- Mobile telephone networks
- Sewer installations
- kWh meter enclosures
- Telephone network Repeater Access Modules

### Outdoor locations

- Market places
- City squares
- Harbours
- Railway stations
- Sports stadia and arenas
- Airports
- Shopping centres

### Indoor locations

- Factories
- Storage facilities
- Maintenance areas
- Sports halls
- Event halls
- Congress halls
- Shopping malls

### Aesthetical solution

- No obstacle at street level
- Fully integrated solutions
- The cover can integrate paving materials
- Extra public space

### Safety

- Cover closed during use
- Due to Diving bell system (Boyle's law) the enclosure can be used without any problem immediately after a flood (tested by 1m water during 48 h)
- The user does not have to come close to the MCB's
- User compartment is separated from electricity supplier compartment
- Outgoing cables channelled through a cable chamber
- Cover load tested by COPRA according to EN124B125 (12.5 Ton)
- Electrically tested by Kema according to EN60439-1, NEN EN 124, IEC 529
- Complied to RoHS-guidelines (directives 200/95/EC)
- Concrete enforced with polyester fibers. Cover in stainless steel AISI 304

### No damage due to flood

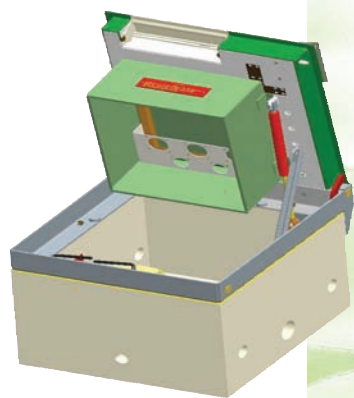
Due to the diving bell system (Boyle's law) the cabinet can be used without any problem immediately after a flood (tested by 1 m water during 48 h, and proven reliable).

### Standards

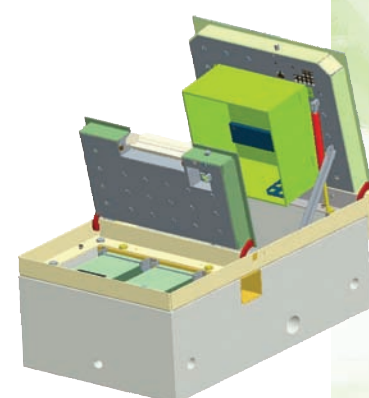
EN 60439-1	NEN EN 124
IEC 60529	EN 124B125



**Type Stadion (Stadium)**



**Type Fair**



**Characteristics**

Common compartment for users and supplier.

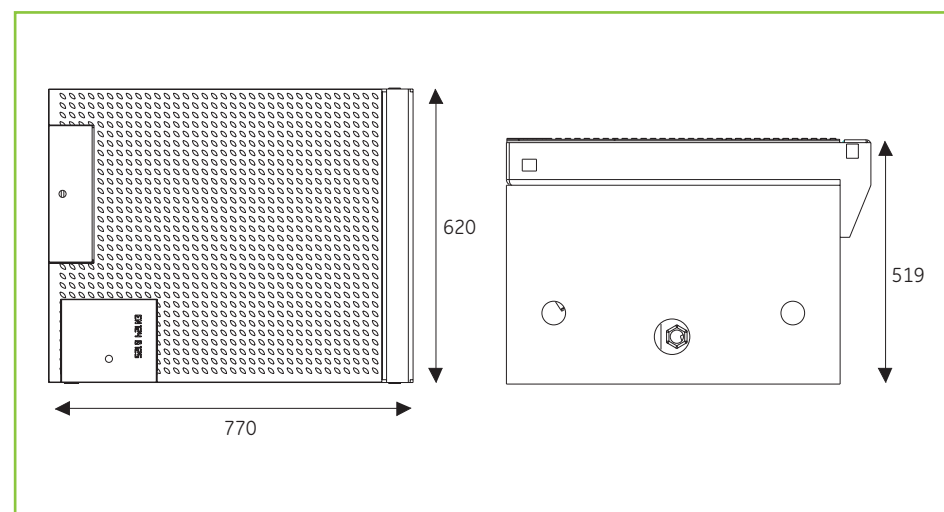
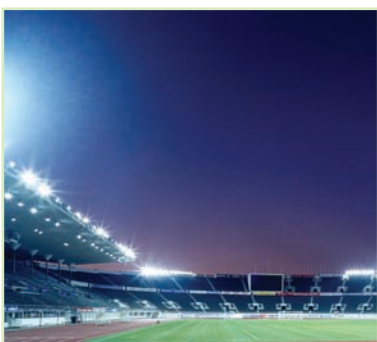
**Technical features**

Maximum voltage	400/230VCA
Maximum incoming rating	63A
Maximum outgoing rating	32A
Frequency	50Hz
Maximum outgoing functions	8
Operating temperature	-20°C to +40°C
Level of immersion	1 m above groundlevel
Cover load	12.5 tons
Maximum angle of cover opening	80°
Lifetime	20 years
Dimensions (H x W x L)	519 x 620 x 770 mm

**Basic compositions**

	32A/5P	16A/5P	16A/3P	Main breaker	kWh	Ref. No.
Stadion 1	1	-	6	1	-	424415
Stadion 2	-	1	6	1	-	424416
Stadion 3	2	-	5	1	-	424417
Stadion 4	-	2	5	1	-	424418
Stadion 5	1	1	5	1	-	424419
Stadion 6	3	-	2	1	-	424420
Stadion 7	1	2	2	1	-	424421
Stadion 8	2	1	2	1	-	424422

**Dimensional drawings**



**Characteristics**

Separated compartments for users and supplier.

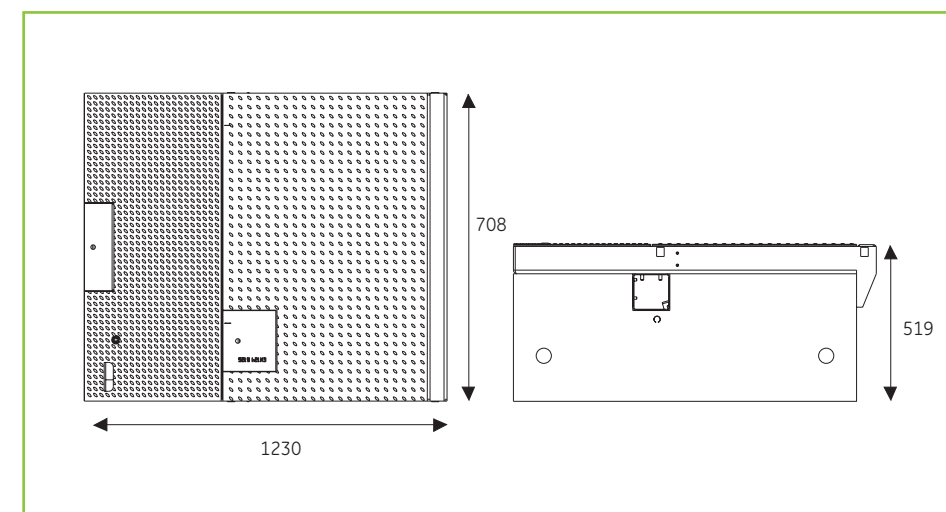
**Technical features**

Maximum voltage	400/230VCA
Maximum incoming rating	63A
Maximum outgoing rating	32A
Frequency	50Hz
Maximum outgoing functions	8
Operating temperature	-20°C to +40°C
Level of immersion	1 m above groundlevel
Cover load	12.5 tons
Maximum angle of cover opening	80°
Lifetime	20 years
Dimensions (H x W x L)	519 (569) x 708 x 1230 mm

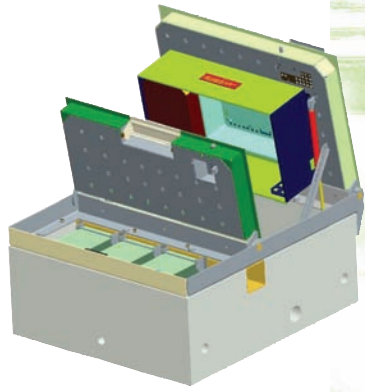
**Basic compositions**

	32A/5P	16A/5P	16A/3P	Main breaker	kWh	Ref. No.
Fair 1	2	-	5	1	-	424423
Fair 2	-	2	5	1	-	424424
Fair 3	1	1	5	1	-	424425
Fair 4	3	-	2	1	-	424426
Fair 5	2	1	2	1	-	424427
Fair 6	1	-	7	1	-	424428
Fair 7	-	1	7	1	-	424429
Fair 8	-	-	8	1	-	424430

**Dimensional drawings**



## Type Market



## Characteristics

Separated compartments for users and supplier.

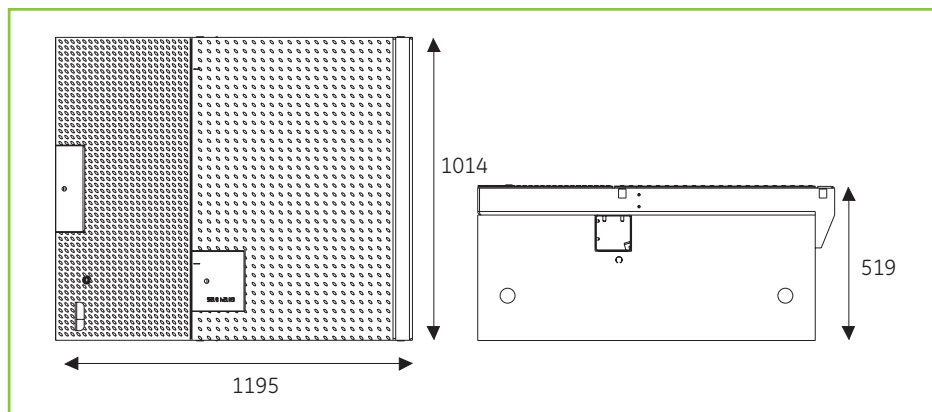
## Technical features

Maximum voltage	400/230VCA
Maximum incoming rating	63A
Maximum outgoing rating	32A
Frequency	50Hz
Maximum outgoing functions	12
Operating temperature	-20°C to +40°C
Level of immersion	1 m above groundlevel
Cover load	12.5 tons
Maximum angle of cover opening	80°
Lifetime	20 years
Dimensions (H x W x L)	519 (569) x 1014 x 1195 mm

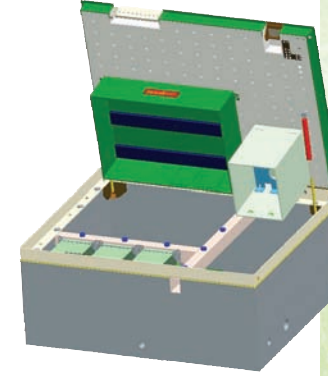
## Basic compositions

	32A/5P	16A/5P	16A/3P	Main breaker	kWh	Ref. No.
Market 1	3	-	7	1	-	424431
Market 2	2	-	10	1	-	424432
Market 3	1	-	11	1	-	424433
Market 4	2	1	7	1	-	424434
Market 5	1	2	7	1	-	424435
Market 6	-	1	11	1	-	424436
Market 7	1	1	10	1	-	424437
Market 8	-	2	10	1	-	424438
Market 1a	3	-	7	1	1	424439
Market 2a	2	-	10	1	1	424440
Market 3a	1	-	11	1	1	424441
Market 4a	2	1	7	1	1	424442
Market 5a	1	2	7	1	1	424443
Market 6a	-	1	11	1	1	424444
Market 7a	1	1	10	1	1	424445
Market 8a	-	2	10	1	1	424446

## Dimensional drawings



## Type Event



## Characteristics

Separated compartments for users and supplier.  
Designed for higher rates.

## Technical features

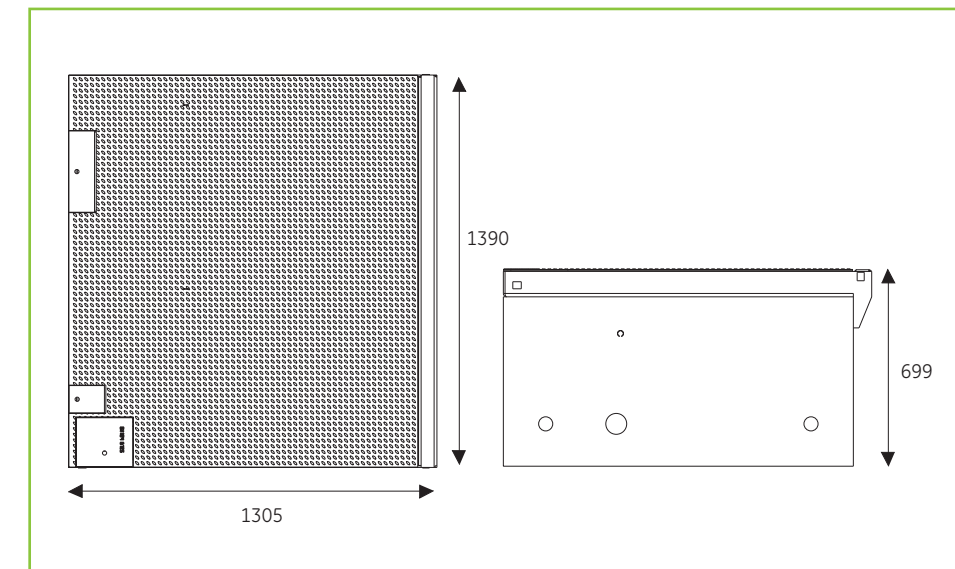
Maximum voltage	400/230VCA
Maximum incoming rating	32/125A
Maximum outgoing rating	125A
Frequency	50Hz
Maximum outgoing functions	12/2
Operating temperature	-20°C to +40°C
Level of immersion	1 m above groundlevel
Cover load	12.5 tons
Maximum angle of cover opening	80°
Lifetime	20 years
Dimensions (H x W x L)	699 (749) x 1390 x 1305 mm

## Basic compositions

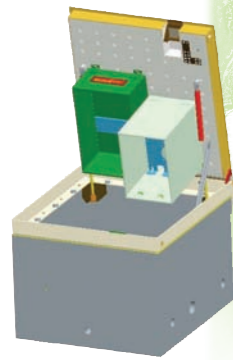
	32A/5P	16A/5P	16A/3P	63A/5P	125A/5P	Main breaker	kWh*	Ref. No.
Event 1	-	4	6	2	-	1	1	424447
Event 2	1	4	6	1	-	1	1	424448
Event 3	-	4	6	-	1	1	1	424449
Event 4	2	2	6	2	-	1	1	424450
Event 5	2	2	6	1	-	1	1	424451
Event 6	2	-	6	-	1	1	1	424452

\* only for outgoing functions 16/32A

## Dimensional drawings



## Type Festival



## Characteristics

Separated compartments for users and supplier.  
Designed for higher rates.

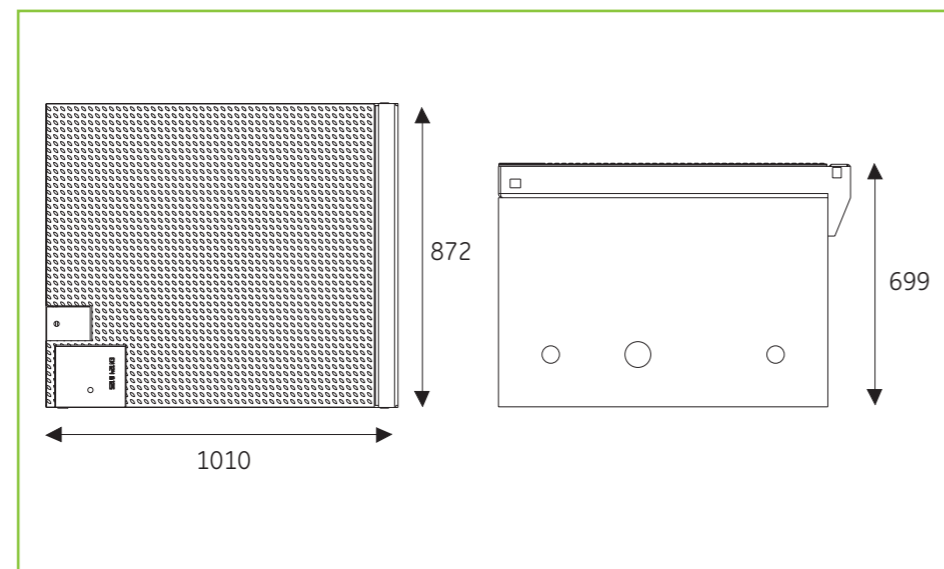
## Technical features

Maximum voltage	400/230VCA
Maximum incoming rating	160A
Maximum outgoing rating	125A
Frequency	50Hz
Maximum outgoing functions	2
Operating temperature	-20°C to +40°C
Level of immersion	1 m above groundlevel
Cover load	12.5 tons
Maximum angle of cover opening	80°
Lifetime	20 years
Dimensions (H x W x L)	699 (749) x 872 x 1010 mm

## Basic compositions

	63A/5P	125A/5P	Main breaker	kWh	Ref. Nr.
Festival 1	2	-	1	-	424453
Festival 2	1	1	1	-	424454
Festival 3	-	1	1	-	424455

## Dimensional drawings



Power Protection (formerly GE Power Controls), a division of GE Consumer & Industrial, is a first class European supplier of low-voltage products including wiring devices, residential and industrial electrical distribution components, automation products, enclosures and switchboards. Demand for the company's products comes from wholesalers, installers, panel-board builders, contractors, OEMs and utilities worldwide.

[www.ge.com/eu/powerprotection](http://www.ge.com/eu/powerprotection)

[www.gepowercontrols.com](http://www.gepowercontrols.com)

GE POWER CONTROLS  
International Sales  
Nieuwevaart 51  
B-9000 Gent - Belgium  
T +32/9 265 21 11  
F +32/9 265 28 90  
E-mail: [gepcbel@gepc.ge.com](mailto:gepcbel@gepc.ge.com)

GE POWER CONTROLS Ltd  
Lincoln Road  
Enfield  
Middlesex EN1 1SB  
United Kingdom  
T 0800 587 1251  
F 0800 587 1239  
E-mail: [gepcuk@gepc.ge.com](mailto:gepcuk@gepc.ge.com)



GE imagination at work